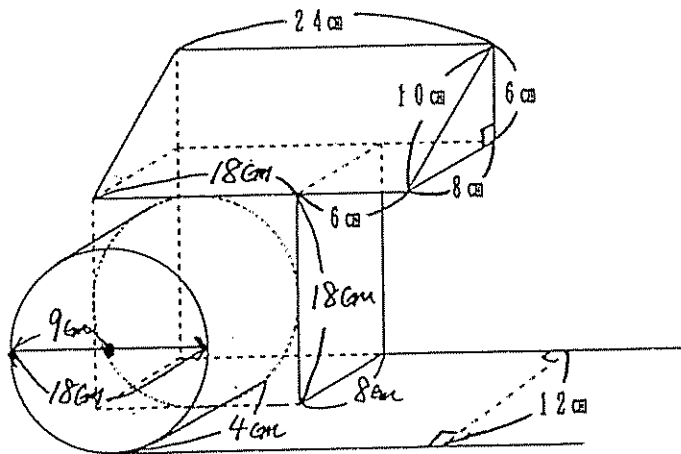


<補充問題>



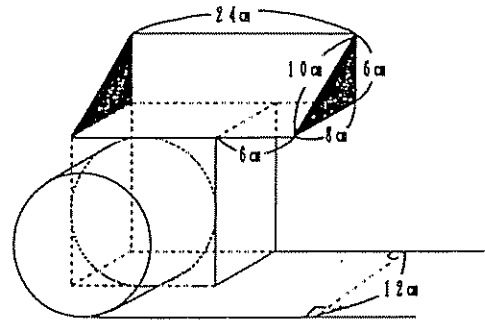
$$\begin{aligned}
 (1) & \quad \underbrace{8 \times 6 \div 2 \times 24}_{\text{三角柱}} + \underbrace{18 \times 18 \times 8}_{\text{四角柱}} + \underbrace{9 \times 9 \times 3.14 \times 4}_{\text{円柱}} \\
 & = 576 + 2592 + 1017.36 \\
 & = 4185.36 \text{ (cm}^3\text{)}
 \end{aligned}$$

答. 4185.36 cm³

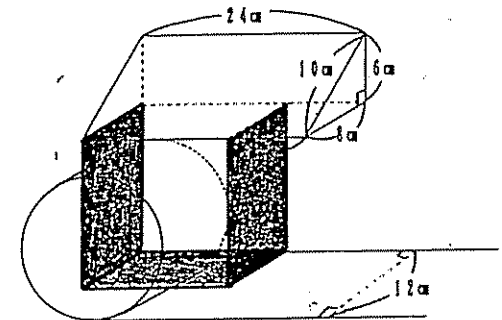
$$\begin{aligned}
 (2) & \quad \underbrace{8 \times 6 \div 2 \times 2}_{\text{①}} + \underbrace{8 \times 18 \times 3}_{\text{②}} + \underbrace{18 \times 18 \times 2}_{\text{③}} + \underbrace{6 \times 8}_{\text{④}} \\
 & \quad + \underbrace{10 \times 24}_{\text{⑤}} + \underbrace{18 \times 3.14 \times 4}_{\text{⑥}} + \underbrace{6 \times 24}_{\text{⑦}} \\
 & = 48 + 432 + 648 + 48 + 240 + 226.08 + 144 \\
 & = 1786.08 \text{ (cm}^2\text{)}
 \end{aligned}$$

答. 1786.08 cm²

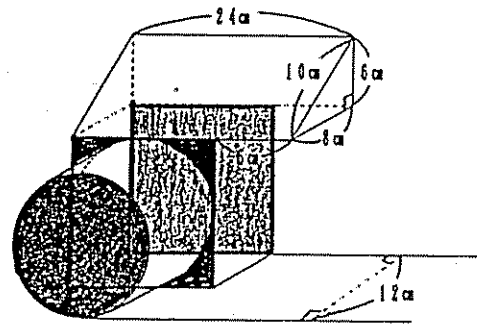
<①の部分>



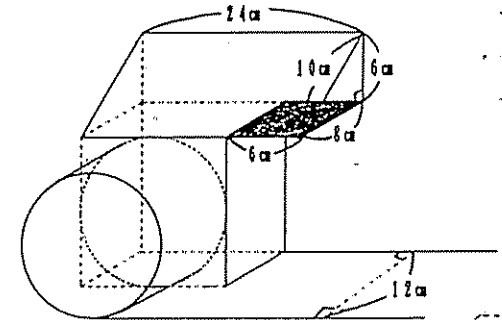
<②の部分>



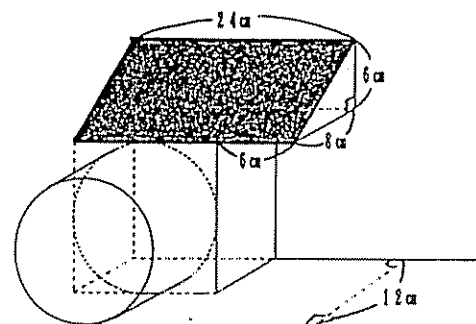
<③の部分>



<④の部分>



<⑤の部分>



<⑥の部分>

